

QL613/18/26NB

6" QuickLights® 180 Recessed Compact Fluorescent Housing

AirSeal™ IC Rated/Open Vertical Downlight-Socket Supporting

Catalog Number: _____

Type: _____

Project: _____

ECO SERIES™



Description

Open reflector IC rated downlight for long-life, energy efficient compact fluorescent lamps. Provides broad, uniform light distribution with excellent color rendition. Ideal for areas that require long hours of continuous operation.

Features

- AirSeal™ housing.
- Patent-pending movable junction box snaps into either right or left of downlight housing frame to provide maximum installation flexibility.
- Socket snaps into trim for consistent lamp position..
- Insulated ceiling and non-Insulated ceiling applications.
- Specular reflectors for excellent light output.
- Grooved baffle reduces glare at aperture.
- Injection-molded plaster frame.
- cUL listed for damp locations and through branch circuit wiring.

CATALOG SYSTEM AND OPTIONS

SAMPLE CATALOG NUMBER: QL626NE1NB-RBC30WM

Housing	Ballast	Options	Trims
QL613 CFM13/GX24Q	NE1 120V electronic normal power factor ¹	NB No Bracket	RBC30WM White Baffle
QL618 CFM18/GX24Q		QP Quick Plug	RBC30M Black Baffle
QL626 CFM26/GX24Q		G Gasket ²	SHR6ICW Regressed Glass Lens Shower Light
			RB101W Clear Reflector with White Baffle
			RB101 Clear Reflector with Black Baffle
			RBA100CLR Clear Reflector
			RBA100GLD Gold Reflector
			RBA100BLK Black Reflector
			RBA100WHT White Reflector

1. Energy Star and Title 24 compliant.
2. Complies with Title 24 requirements.

General Notes:

Lamp compatibility is noted under housings.

Custom colors are available on select trims. See www.caprilighting.com for brochure and additional information.



SPECIFICATIONS

1. Housing - Constructed of .032 aluminum. Adjusts vertically in plaster frame to accommodate ceilings 1/2" to 1-1/2" thick. Housing can be pulled through plaster frame for access to junction box. Accommodates lamps up to 150 watts, depending on trim used and application to direct contact of ceiling insulation. Ceiling opening of 6 5/16". Dome is constructed of heavy-duty steel.

2. Ballast - NE1 electronic normal power factor ballast operates four pin GX24q compact fluorescent lamps over 45khz. Ballast meets EPA Energy Star registered luminaire requirements. Ballast meets FCC Part 18 on consumer limits on EMI/RFI. Minimum starting temperature of 0 degrees Fahrenheit. Ballast features auto shutdown at end of lamp life. NE1 electronic normal power factor ballast is designed to operate compact fluorescent lamps to ANSI Standard IEC C-78-901-2005.

3. Bar Hangers - Standard housing includes 27" flat BH3 bar hangers. Also accomodates BH1 pre-nailed, adjustable bar hangers.

4. Plaster Frame - High impact, high temperature, lightweight injection-molded plaster frame. Self-leveling frame ensures accurate positioning. Two preinstalled double-headed nails fasten plaster frame to joist. Double-headed 16 penny nails permit easy repositioning if required. May be used with 27" flat BH3 bar hangers or BH1 adjustable bar hangers.

5. Socket - Compact fluorescent socket mounted to socket supporting bracket allows socket to snap directly to finish trim. Secured socket provides consistent luminaire-to-luminaire lamp position.

6. Junction Box - Movable non-conductive junction box with four pry-out knockouts for non-metallic sheathed cable (Romex) and two 1/2" conduit pry-outs. Captive door hinges upward and stays open to permit fast electrical connections. Romex connectors not required. Staple Romex to joist within 8 inches of junction box. Meets all safety requirements of UL and the N.E.C.

7. IC & Non-IC - Housing is UL Listed for direct contact with thermal insulation. Insulation must be kept three inches away from housing in non-IC applications.

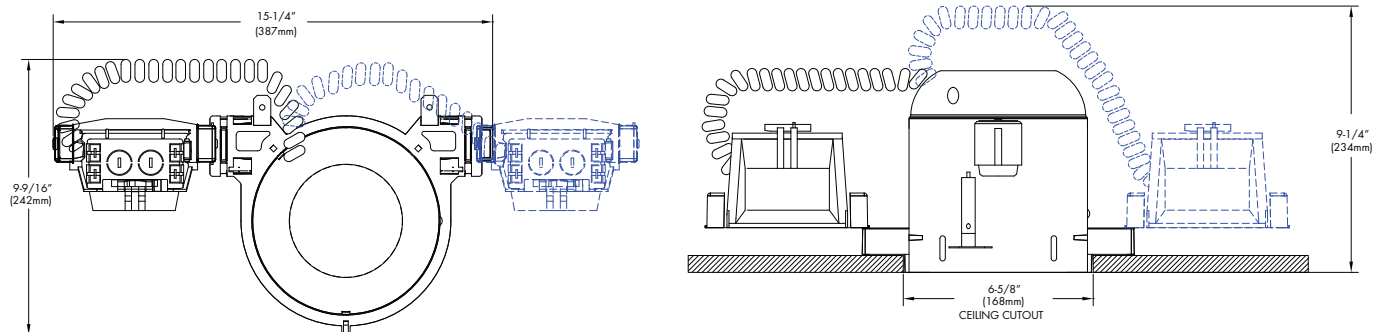
8. cUL Listed for damp locations and through branch wiring, 4 in/4 out.

9. AirSeal™ - Fixture is AirSeal™ rated preventing the passage of no more than two cubic feet of air per minute through housing. Airseal rated to ASTM E283.

Accessories (Order separately)

Pair 27" Flat Bar Hangers	BH3
Pair Pre-Nailed Adjustable Bar Hangers	BH1
Oversize Trim Ring	OV1
(for half reflector, bracket required NON IC type trims)	
Oversize Trim Ring	OV2
(for full reflector, socket supporting IC type trims)	

DIMENSIONS



REV. 02/09
RC2-7.5

6" COMPACT FLUORESCENT VERTICAL TRIMS



RBC30W (shown)
Full Black Baffled Reflector
RBC30WM
Full White Baffled Reflector
7-1/16" O.D. (179 mm)
Socket Supporting

Housing	Lamps	LAMP WATTAGE	
		IC (max.)*	Non-IC (max.)
QL613NE1	CFM13/GX24Q	13W CFL	13W CFL
QL618NE1	CFM18/GX24Q	18W CFL	18W CFL
QL626NE1	CFM26/GX24Q	26W CFL	26W CFL



RB101 (shown)
Clear Reflector Black Baffle
RB101W
Clear Reflector White Baffle
7-1/16" O.D. (179 mm)
Socket Supporting

Housing	Lamps	LAMP WATTAGE	
		IC (max.)*	Non-IC (max.)
QL613NE1	CFM13/GX24Q	13W CFL	13W CFL
QL618NE1	CFM18/GX24Q	18W CFL	18W CFL
QL626NE1	CFM26/GX24Q	26W CFL	26W CFL



SHR6IC
Regressed Glass Shower Light,
Polycarbonate Flange
Wet Location Approved
8" O.D. (203 mm)
Socket Supporting

Housing	Lamps	LAMP WATTAGE	
		IC (max.)*	Non-IC (max.)
QL613NE1	CFM13/GX24Q	13W CFL	13W CFL
QL618NE1	CFM18/GX24Q	18W CFL	18W CFL
QL626NE1	CFM26/GX24Q	26W CFL	26W CFL



RBA100CLR (shown)
Clear Reflector
RBA100GLD
Gold Reflector
RBA100BLK
Black Reflector
RBA100W
White Reflector
7-1/16" O.D. (179 mm)
Socket Supporting

Housing	Lamps	LAMP WATTAGE	
		IC (max.)*	Non-IC (max.)
QL613NE1	CFM13/GX24Q	13W CFL	13W CFL
QL618NE1	CFM18/GX24Q	18W CFL	18W CFL
QL626NE1	CFM26/GX24Q	26W CFL	26W CFL

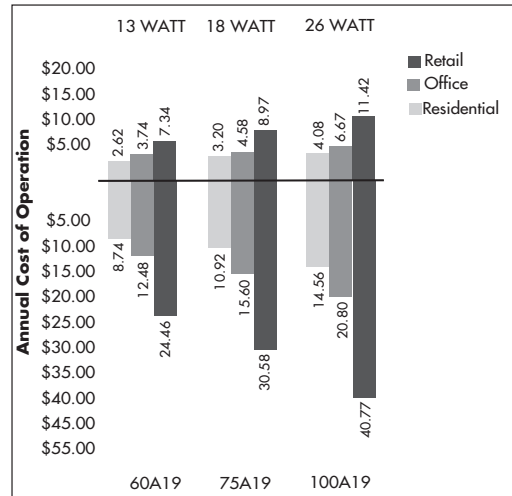


RBA100WHT
White Reflector
7-1/16" O.D. (179 mm)
Socket Supporting

Housing	Lamps	LAMP WATTAGE	
		IC (max.)*	Non-IC (max.)
QL613NE1	CFM13/GX24Q	13W CFL	13W CFL
QL618NE1	CFM18/GX24Q	18W CFL	18W CFL
QL626NE1	CFM26/GX24Q	26W CFL	26W CFL

Operating Characteristics					
Catalog Number	Lamp	Line Amps	Input Watts	Power Factor	Min. Start Temp.
QL613QNE1	CFM13W/GX24Q	0.26	15	>50%	0F
QL618QNE1	CFM18W/GX24Q	0.34	22	>50%	0F
QL626QNE1	CFM26W/GX24Q	0.40	28	>50%	0F

LUMINAIRE WATTAGE CONSUMPTION COMPARISON



For additional photometrics go to caprilighting.com

Capri Lighting reserves the right to make changes without notice.©2009

RC2-7.5

CAPRI LIGHTING:
776 South Green St., Tupelo, MS 38804
Phone 662.842.7212 FAX 662.841.5501
www.caprilighting.com

THOMAS LIGHTING CANADA:
189 Bullock Drive, Markham, Ontario, Canada L3P 1W4
Phone 905.294.9570 FAX 800.268.0003
www.thomaslightingcanada.com

capri
LIGHTING