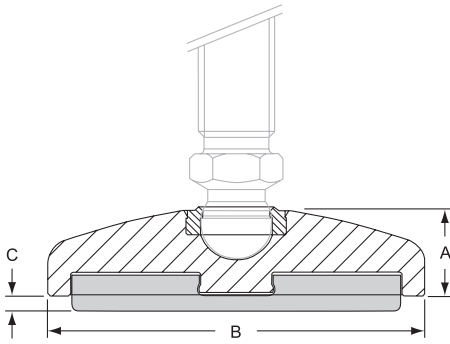


Base for Swivel Feet Stainless Steel - SS 304



- Heavy duty leveling feet have anti-slip rubber pads
- These bases require threaded stems shown on the following page

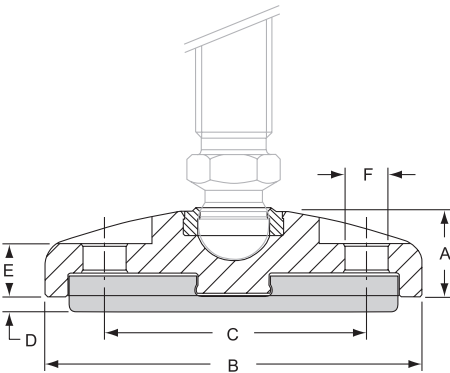


Part No. with Anti-Slip Plate	Base	A	B (mm)	C	Max. Load Kg. (Lbs.)	Gram (Lbs.)
12170	30.00	18.00	29.00	3.00	1995.00 (4400.00)	64.00 (0.14)
12172	40.00		39.00		2994.00 (6600.00)	100.00 (0.22)
12174	45.00		44.00		2994.00 (6600.00)	122.00 (0.27)
12176	50.00		49.00		3493.00 (7700.00)	159.00 (0.35)
12178	60.00		59.00		3493.00 (7700.00)	218.00 (0.48)
12182	80.00		79.00		3493.00 (7700.00)	381.00 (0.84)
12186	100.00		99.00		3992.00 (8800.00)	603.00 (1.33)
12190	120.00		119.00		3992.00 (8800.00)	844.00 (1.86)

Base for Swivel Feet w/Bolt Down Holes Stainless Steel - SS 304



- Heavy duty leveling feet with floor mount holes
- Anti-slip rubber pads included
- These bases require threaded stems shown on the following page

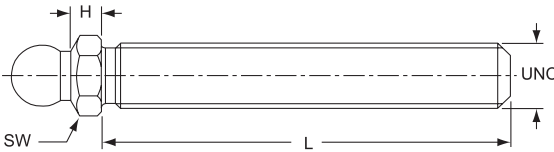
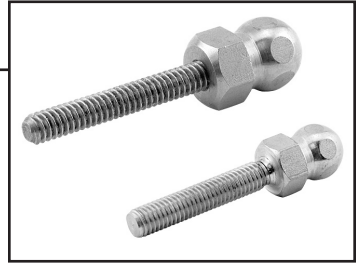


Part No. with Anti-Slip Plate	Base	A	B (mm)	C (mm)	D	E	F	Max. Load Kg. (Lbs)	Gram (Lbs.)
12181	80.00	18.00	79.00	55.00	3.00	11.00	9.00	2994.00 (6600.00)	354.00 (0.78)
12185	100.00		99.00	74.00				3992.00 (8800.00)	585.00 (1.29)
12189	120.00		119.00	94.00				3992.00 (8800.00)	830.00 (1.83)

Threaded Stems for Swivel Feet

Zinc-Plated Steel & Stainless Steel - SS 304

- Metric and fractional threads
- Zinc plated or stainless steel
- Use with swivel bases shown on previous page



Stainless Steel Part No.	Zinc-Plated Steel Part No.	Threaded Rod UNC	L (in)	Max. Load Kg. (Lbs.)	Gram (Lbs.)	Spanner Width (SW)	H (mm)
12229	12230	1/4-20	1.50	181.00 (400.00)	32.00 (0.07)	14.00mm-9/16"	7.50
12245	12246	5/16-18	1.50	318.00 (700.00)	36.00 (0.08)	14.00mm-9/16"	7.50
12247	12248	5/16-18	2.50	318.00 (700.00)	45.00 (0.10)	14.00mm-9/16"	7.50
12249	12250	5/16-18	3.50	318.00 (700.00)	54.00 (0.12)	14.00mm-9/16"	7.50
12237	12238	3/8-16	1.50	454.00 (1000.00)	45.00 (0.10)	14.00mm-9/16"	7.50
12239	12240	3/8-16	2.50	454.00 (1000.00)	54.00 (0.12)	14.00mm-9/16"	7.50
12241	12242	3/8-16	4.00	454.00 (1000.00)	68.00 (0.15)	14.00mm-9/16"	7.50
12243	12244	3/8-16	6.00	454.00 (1000.00)	91.00 (0.20)	14.00mm-9/16"	7.50
12213	12214	1/2-13	1.50	726.00 (1600.00)	54.00 (0.12)	14.00mm-9/16"	7.50
12215	12216	1/2-13	2.50	726.00 (1600.00)	73.00 (0.16)	14.00mm-9/16"	7.50
12223	12224	1/2-13	4.00	726.00 (1600.00)	109.00 (0.24)	14.00mm-9/16"	7.50
12227	12228	1/2-13	6.00	726.00 (1600.00)	145.00 (0.32)	14.00mm-9/16"	7.50
12459	12460	5/8-11	3.00	1406.00 (3100.00)	145.00 (0.32)	22.00mm-7/8"	7.50
12461	12462	5/8-11	4.00	1406.00 (3100.00)	150.00 (0.33)	22.00mm-7/8"	7.50
12463	12464	5/8-11	6.00	1406.00 (3100.00)	240.00 (0.53)	22.00mm-7/8"	7.50
12465	12466	5/8-11	8.00	1406.00 (3100.00)	304.00 (0.67)	22.00mm-7/8"	7.50
12231	12232	3/4-10	4.00	2404.00 (5300.00)	240.00 (0.53)	22.00mm-7/8"	10.50
12233	12234	3/4-10	6.00	2404.00 (5300.00)	331.00 (0.73)	22.00mm-7/8"	10.50
12235	12236	3/4-10	8.00	2404.00 (5300.00)	426.00 (0.94)	22.00mm-7/8"	10.50

Stainless Steel Part No.	Zinc-Plated Steel Part No.	Threaded Rod UNC	L (mm)	Max. Load Kg. (Lbs.)	Gram (Lbs.)	Spanner Width (SW)	H (mm)
12195	12390	M8	40.00	318.00 (700.00)	36.00 (0.08)	14.00mm	7.50
12196	12392	M8	80.00	318.00 (700.00)	50.00 (0.11)	14.00mm	7.50
12197	12394	M10	45.00	454.00 (1000.00)	41.00 (0.09)	14.00mm	7.50
12198	12396	M10	90.00	454.00 (1000.00)	68.00 (0.15)	14.00mm	7.50
12199	12398	M10	125.00	454.00 (1000.00)	82.00 (0.18)	14.00mm	7.50
12200	12400	M12	45.00	726.00 (1600.00)	54.00 (0.12)	14.00mm	7.50
12201	12402	M12	100.00	726.00 (1600.00)	95.00 (0.21)	14.00mm	7.50
12202	12404	M12	150.00	726.00 (1600.00)	132.00 (0.29)	14.00mm	7.50
12203	12406	M16	66.00	1406.00 (3100.00)	113.00 (0.25)	17.00mm	7.50
12204	12408	M16	125.00	1406.00 (3100.00)	191.00 (0.42)	17.00mm	7.50
12205	12410	M16	200.00	1406.00 (3100.00)	286.00 (0.63)	17.00mm	7.50
12206	12412	M20	100.00	2404.00 (5300.00)	236.00 (0.52)	22.00mm	10.50
12207	12414	M20	125.00	2404.00 (5300.00)	299.00 (0.66)	22.00mm	10.50
12208	12416	M20	150.00	2404.00 (5300.00)	340.00 (0.75)	22.00mm	10.50