



Order On Line
www.polycase.com
sales@polycase.com
800-248-1233
Fax: 440-934-0088

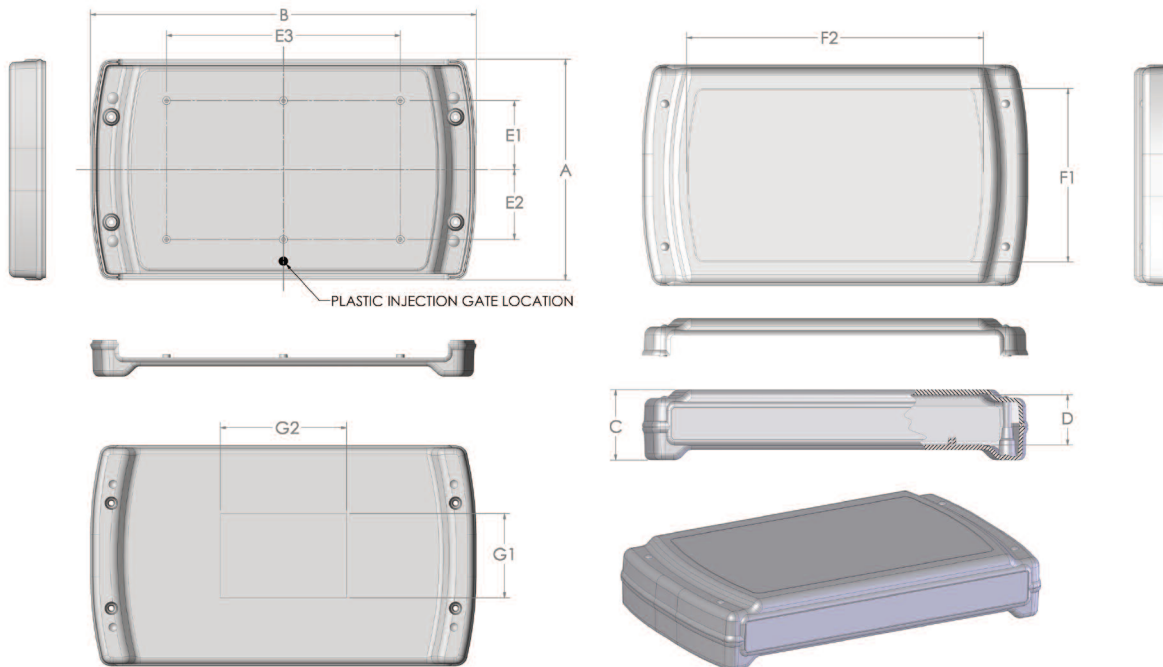
PLASTIC ENCLOSURES FOR ELECTRONICS

ZN Product Features

Design	Material	Additional Info
<ul style="list-style-type: none"> • Case Styles: Flush, textured or 0.030" recessed, smooth for graphic overlays • End Panels: Removable end panels are easily modified • Base: Recessed area for labeling I.D. 	<ul style="list-style-type: none"> • Material: Flame retardant ABS plastic • Flame Rating: 94-V0 • Surface: Textured finish 	<ul style="list-style-type: none"> • Colors: Black, bone or gray • Different heights may be stacked.



Our newest electronic instrument enclosure features an interlocking design that allows you to stack the enclosures several high without slipping.



	Catalog Number	Length	Width	Height	Inside Depth	PCB Bosses			Mtg. Boss Height	Graphic Overlay Case		Graphic Overlay Base	
		A	B	C	D	E1	E2	E3	F1	F2	G1	G2	
NEW	ZN-40	5.250	9.180	1.675	1.195	1.640 X 1.660 X 5.560			0.168	4.125 X 7.062		2.000 X 3.000	
NEW	ZN-45	5.250	9.180	2.363	1.883	1.640 X 1.660 X 5.560			0.168	4.125 X 7.062		2.000 X 3.000	

Dimensions are nominal and in inches
 Mounting boss screws are available for purchase (4-24 x 1/4 inch thread forming screw) Bag of 100, \$2.50
 Please note "E1" and "E2" dimensions are NOT symmetrical about center line

Enclosure includes case, base, end panels and screws for enclosure assembly
WHEN ORDERING, PLEASE SPECIFY:

1. Catalog Number
2. Case Style – Flush, textured or 0.030" recessed, smooth area
3. Mounting Boss Screws – Specify Yes or No
4. Color – Black, Bone or Gray

