

## USB SENSOR LINK

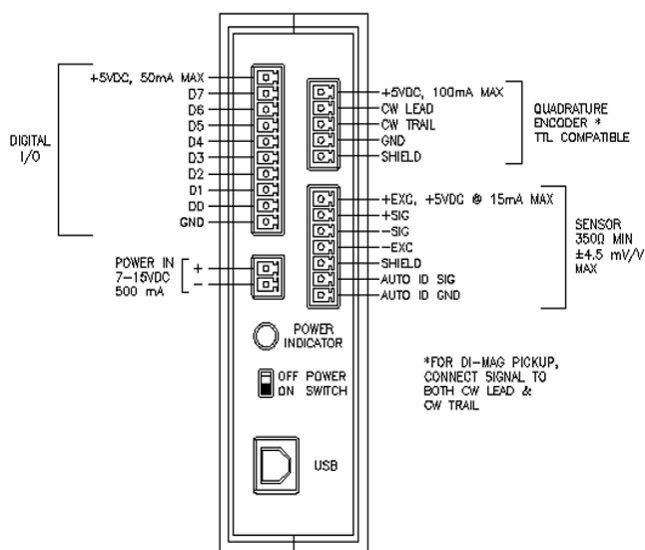
### 90386 USB SENSOR INTERFACE

The 90386 is a portable sensor interface that powers and processes strain gaged based sensor into USB compatible signals. No need for additional signal processing or special PC cards. This versatile instrument is designed for:

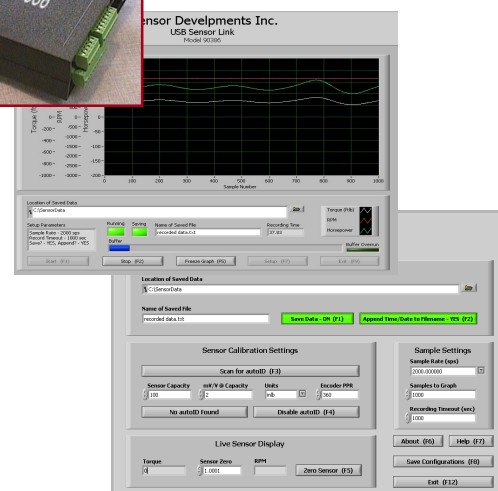
- Measuring force, torque, pressure, or displacement
- Capturing and storing multiple peaks
- High speed recording of measurement profiles vs. time
- RPM measurements (di-mag pick-up or optical encoder), including horsepower calculation.
- Control of remote devices

### SPECIFICATIONS

Max input and F.S. ..... +/- 4.5 mV/V  
 Polarity ..... Bi-polar  
 Bridge excitation ..... 5 V supplied  
 Minimum bridge impedance ..... 350ohms  
 Electronics Dimensions ..... 5.3W x 5.1D x 1.5H  
 Power Requirements-AC (adapter supplied) ..... 115 Vac  
 Strain input ..... 16 bits, 4 pole 400Hz low pass filter, 5Vdc exc.  
 Digital I/O ..... 8 bits of TTL compatible by-directional  
 Sample rate ..... 2000 strain/position samples per sec  
 PC Interface ..... USB 2.0 compatible



### WIRING CONFIGURATION



### ELECTRONICS WITH INTERFACE SCREENS

#### FEATURES

- 2 channel input (strain and or speed/position).
- Built in excitation supply for strain gage bridge and speed sensor.
- Optional high level (+/-10V, +/-5V) input in place of strain.
- Speed/position input - quadrature encoder, di-mag pickup, 5VDC excitation.
- Simultaneous sampling across all channels, strain and speed (no analog multiplexing).
- AutoID compatible.
- Sensor & I/O connections made via removable terminal block.
- PC software for graphical display and streaming data to disk.

#### OPTIONS

- Enhanced Graphic User Interface software available.
- Multi-channel configurations.

